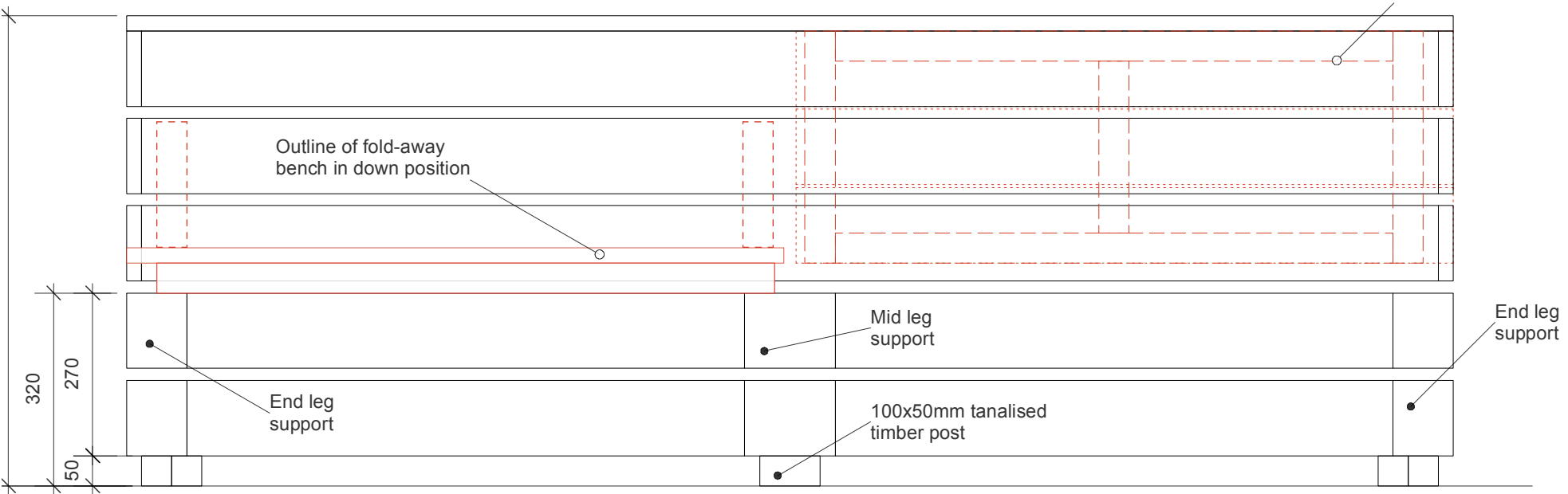
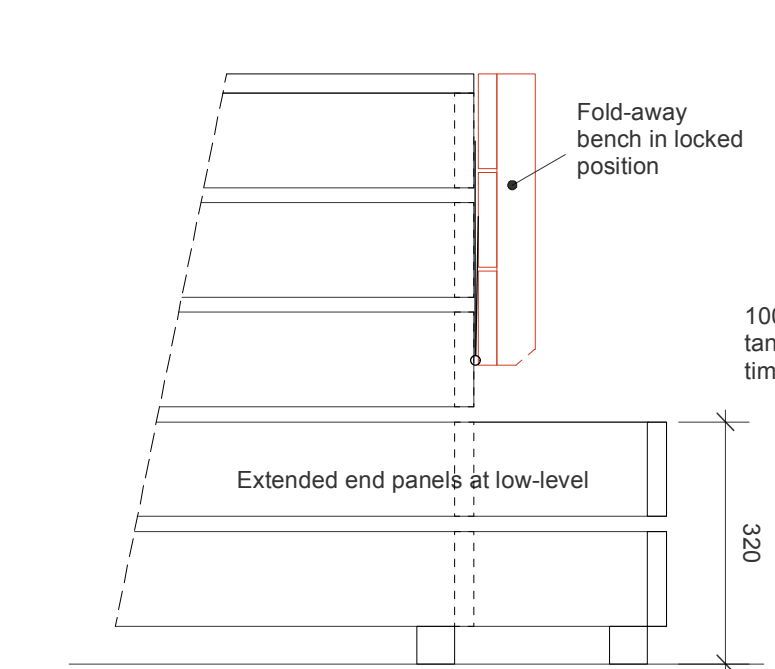


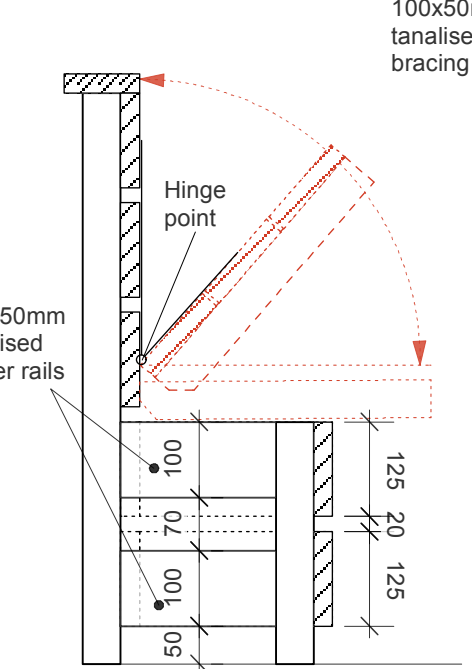
**Planter foldaway bench:**  
**Leg supports:**  
 >End leg supports formed from 50x50mm tanalised timber posts with 100x50mm tanalised timber top and bottom rails fixed back to planter posts.  
 >Mid leg support to include 100x50mm post, 100x50mm top and bottom rail (set horizontally) and fixed back to 2No. low-level 50x50 mm bracing rails that are set between the mid posts of the planter side panel.  
 Legs to be clad with 125x25mm tanalised timber boards at 20mm spacing (as shown on drawings)



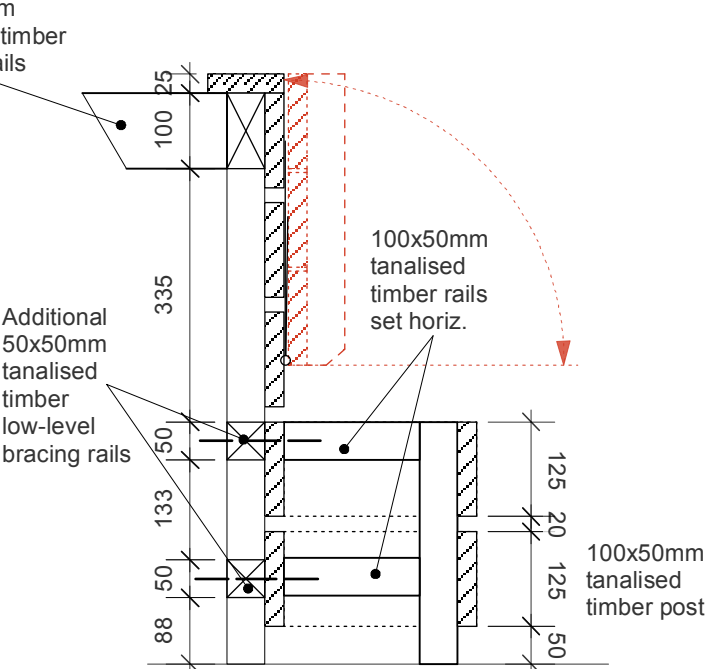
**Elevation A : Planter panel / bench**



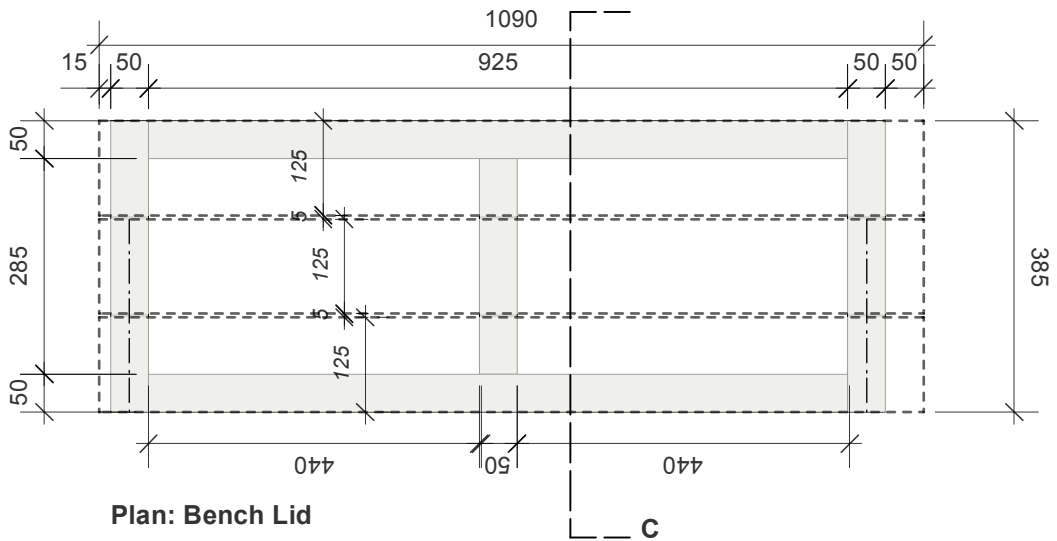
**Elevation B : side view**



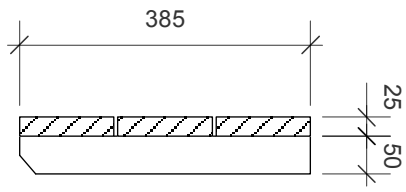
**Section A**



**Section B**



**Plan: Bench Lid**



**Section C**

**Planter foldaway bench:**  
**Bench lid (4No in total):**  
 Formed from 125x25mm planed tanalised timber boards set at 5mm spacings, on 50x50mm tanalised timber frame. Bench lid to be screw fixed with hinges to planter side panel.

**VACANT LOT**  
**Red Lion Square Details**  
 Dwg Title: Fold-away Bench  
 Dwg No.: VL-RLE- 100-004  
 Scale: 1:10 (@ A3)  
 Date created: 15.02.12

WHAT IF: projects Ltd  
 39 Croyley Street, London N1 7HT  
 T. 02072533376  
 E. garth@what-if.info, m. 07866225467  
 www.what-if.info