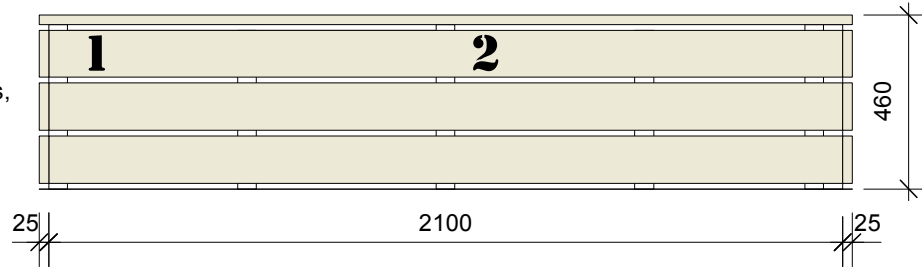
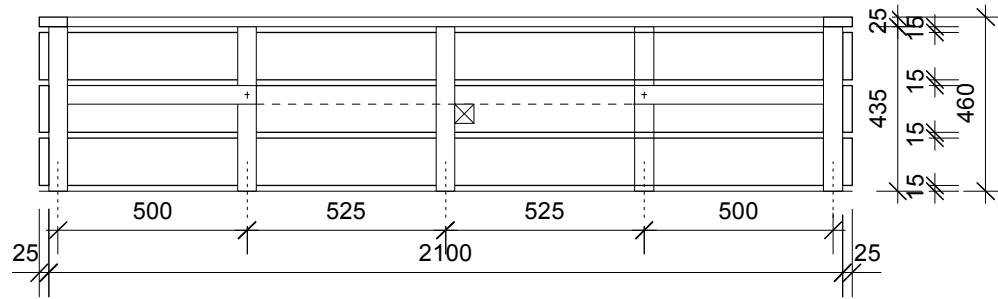


# planter

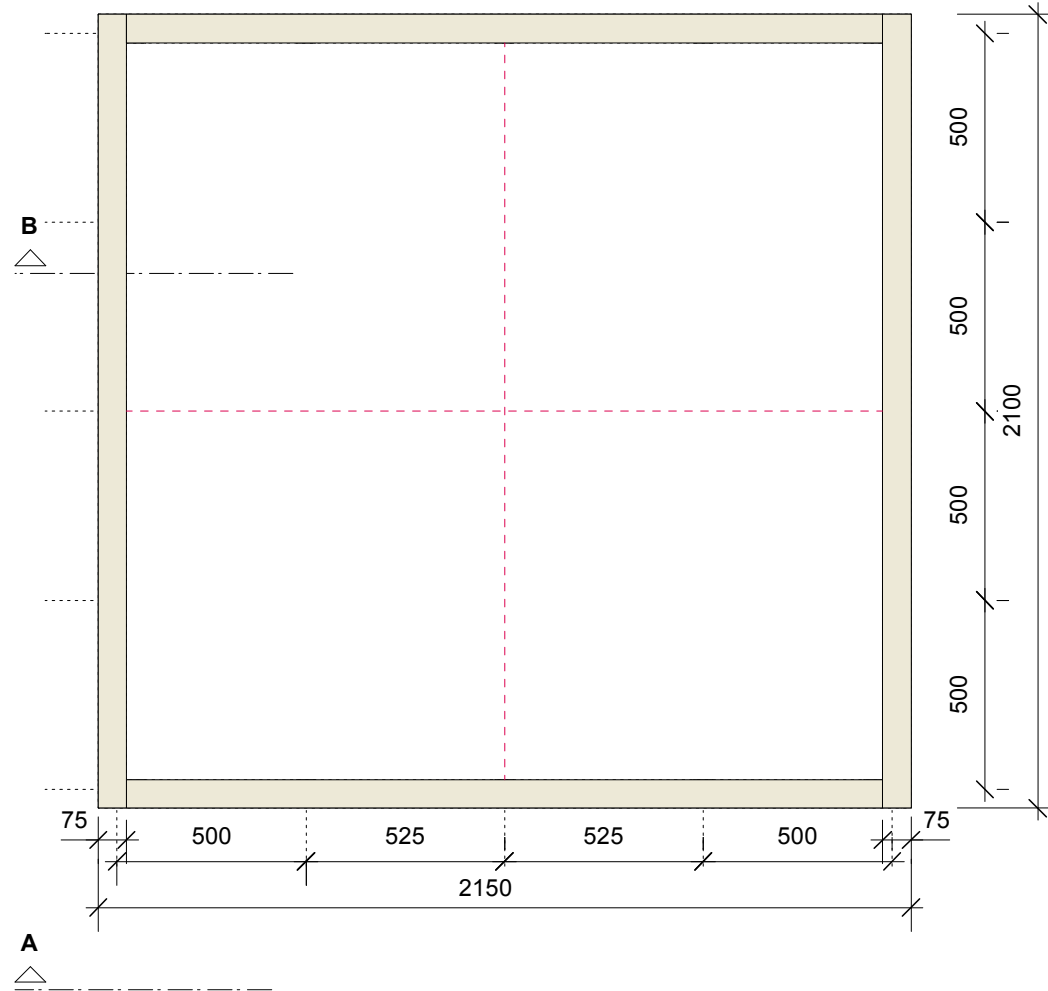
125mmx25mm timber boards,  
15mm gaps



Elevation A

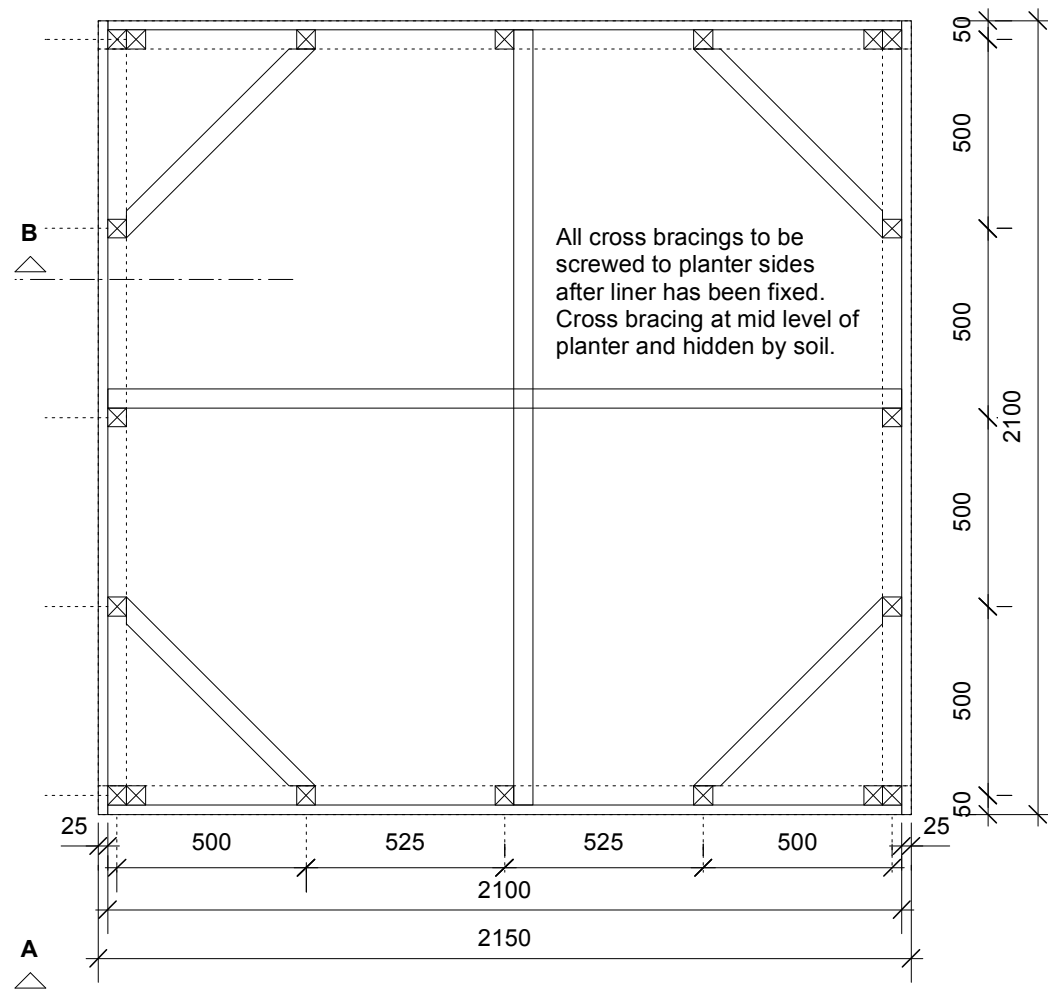


Section B



Plan 0

25x125mm boards, 15mm gaps  
25x75mm board to top edge of planter  
50x50mm bracing and planter uprights  
(fitted to uprights at mid level of planter)



Plan 0

Note:  
1) All timber sections are tanalised.  
2) Timber sections: 25x75mm, 25x125mm,  
50x50mm

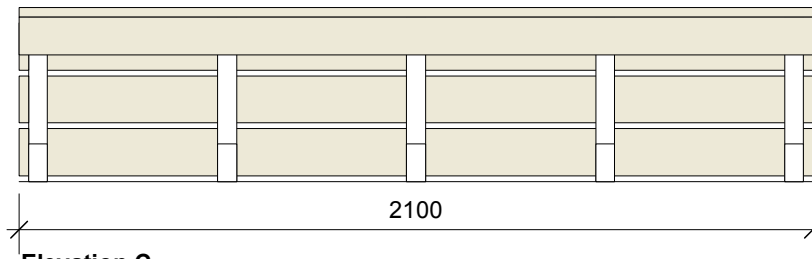
## CONSTRUCTION

VACANT LOT  
Dwg Title: Square planter  
Scale: 1:20 at A3  
Date: 17.01.12

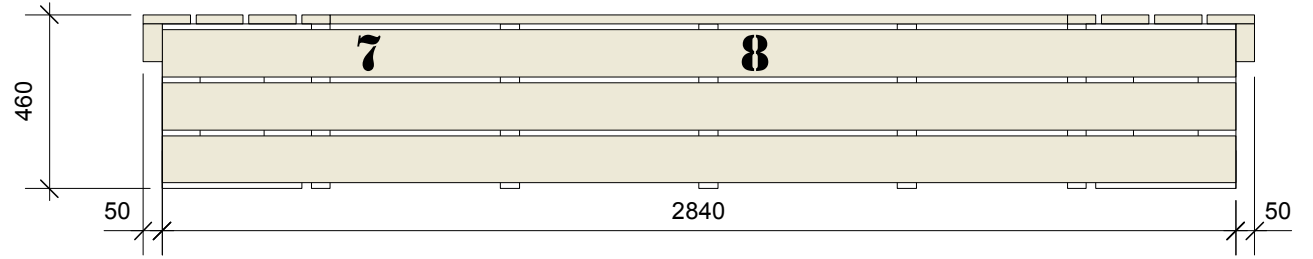
## WHAT IF: projects Ltd

39 Croyley Street, London N1 7HT  
T. 02072533376 M. 07813218079  
E. ulrike@what-if.info  
www.what-if.info

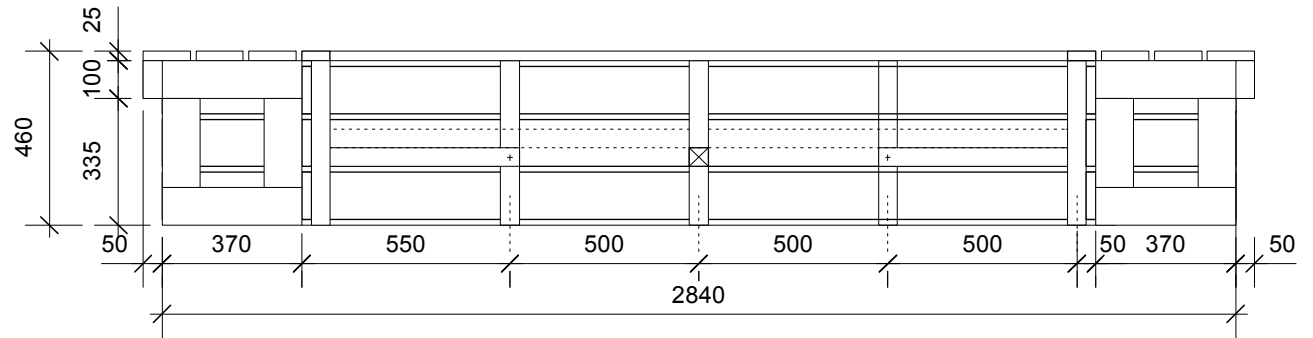
# planter with two seats



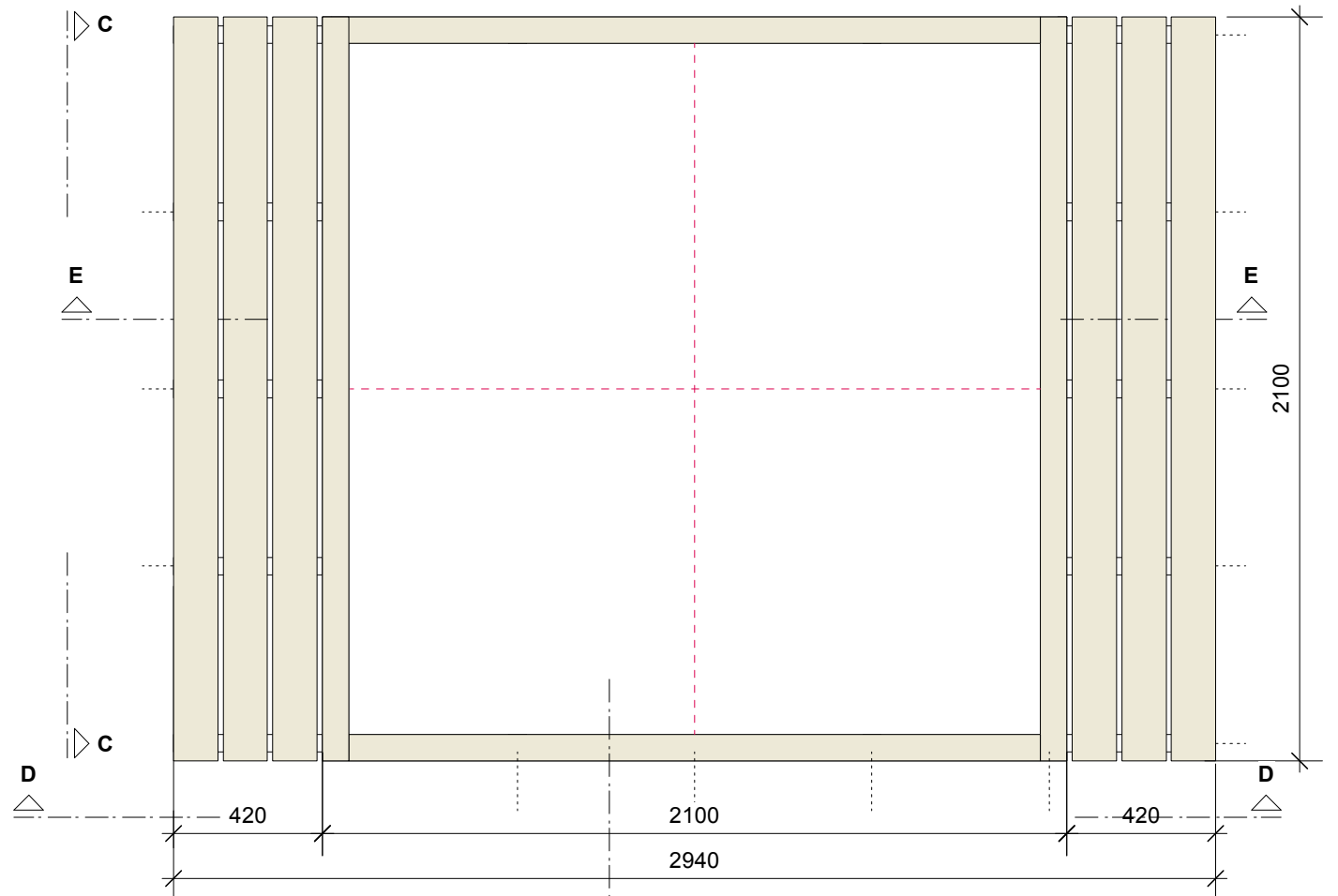
Elevation C



Elevation D



Section E



Plan 1

25x125mm boards, 15mm gaps  
 25x75mm board to top edge of planter  
 50x50mm bracing and planter uprights  
 (fitted to uprights at mid level of planter)  
 50x100mm seat supports

Note:  
 1) All timber sections are tanalised.  
 2) Timber sections: 25x75mm, 25x125mm,  
 50x50mm, 50x100mm

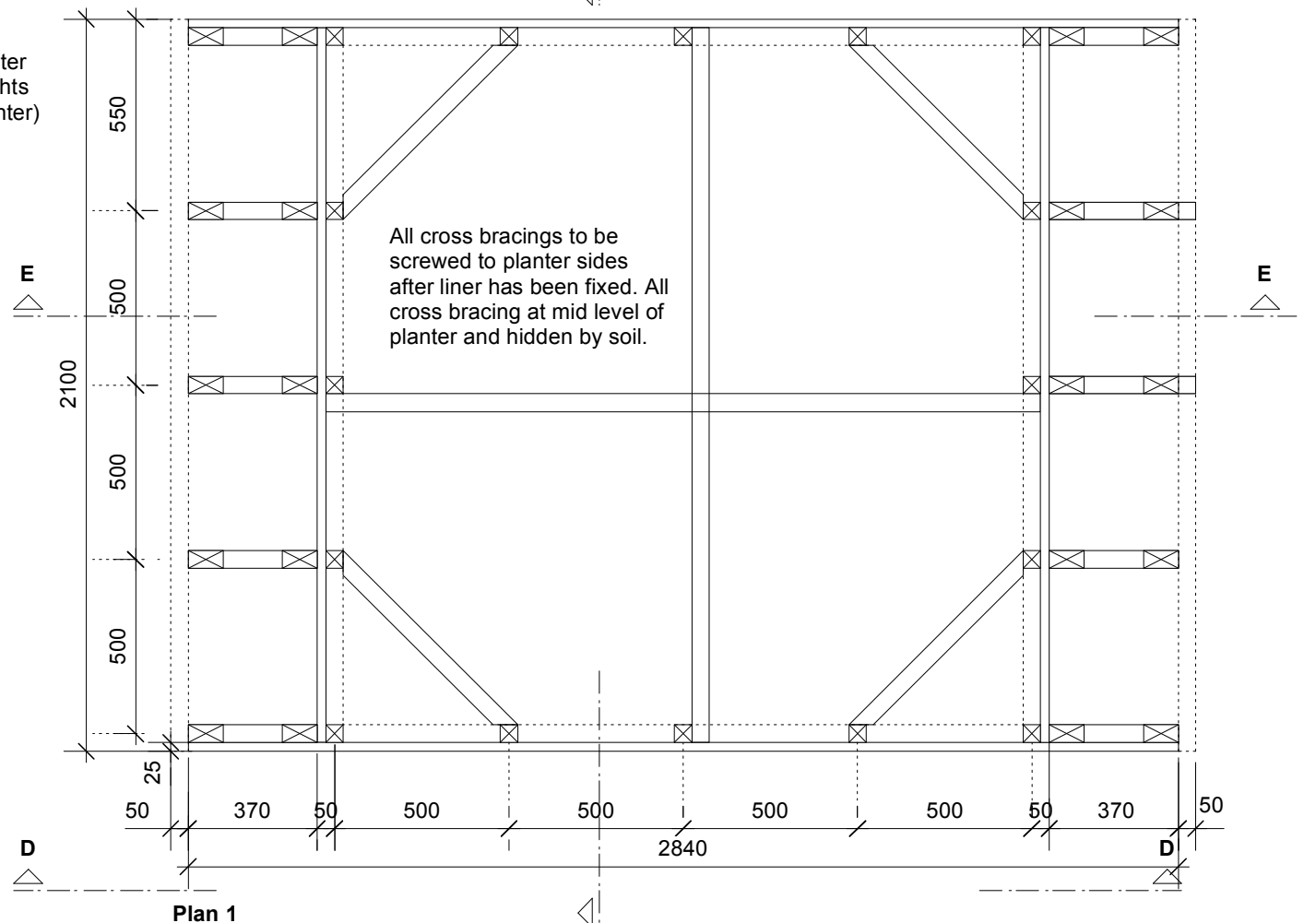
## CONSTRUCTION

VACANT LOT  
 Dwg Title: Planter with two seats

Scale: 1:20 at A3  
 Date: 17.01.12

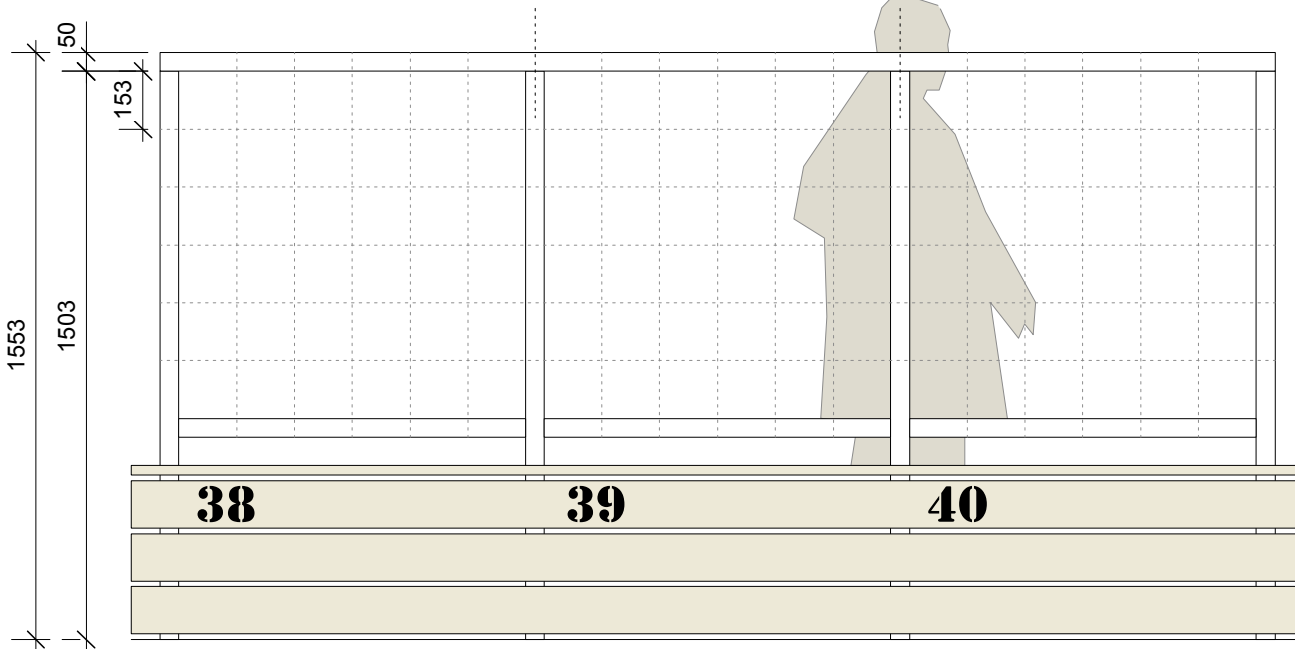
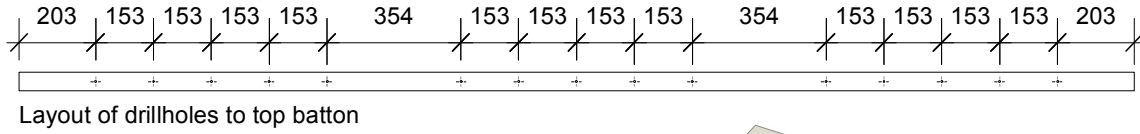
## WHAT IF: projects Ltd

39 Cropley Street, London N1 7HT  
 T. 02072533376 M. 07813218079  
 E. ulrike@what-if.info  
 www.what-if.info

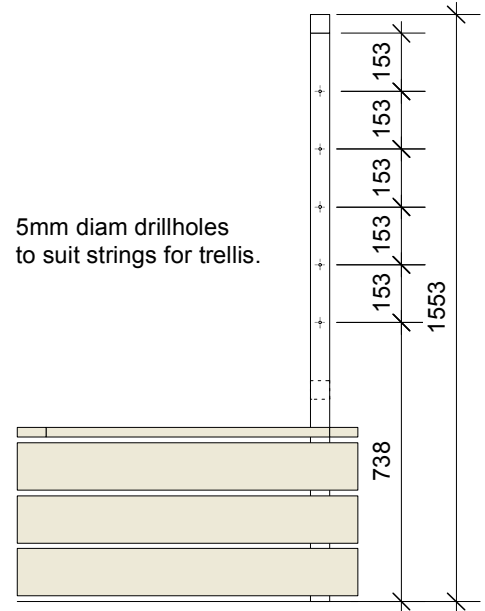


Plan 1

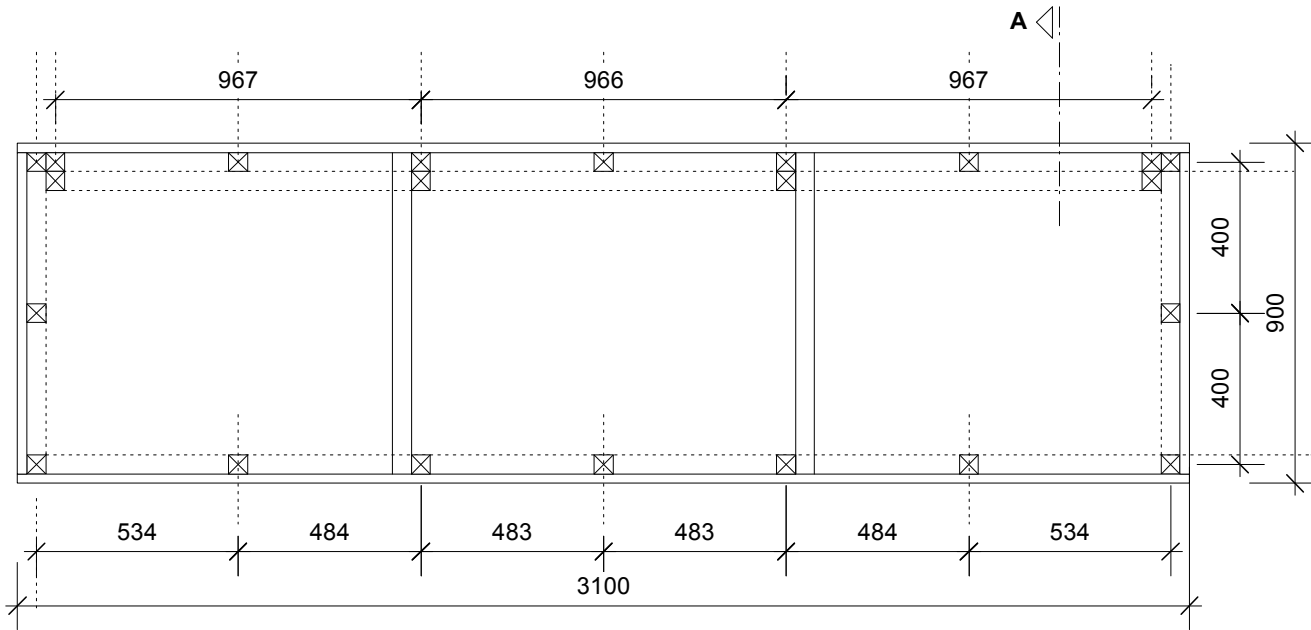
# planter with trellis



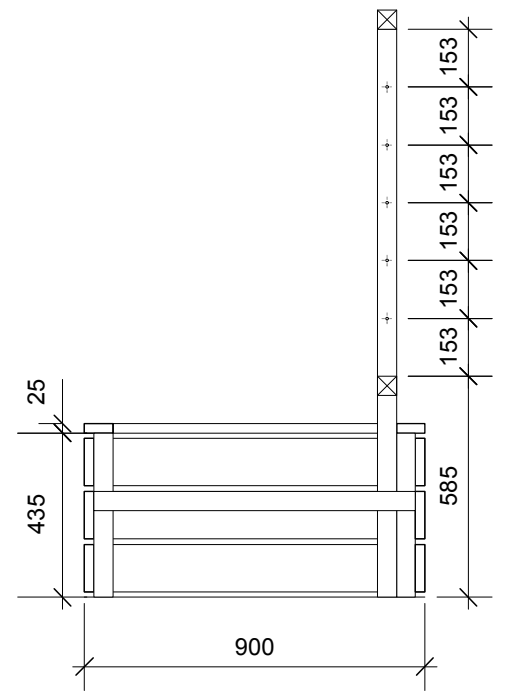
Front elevation



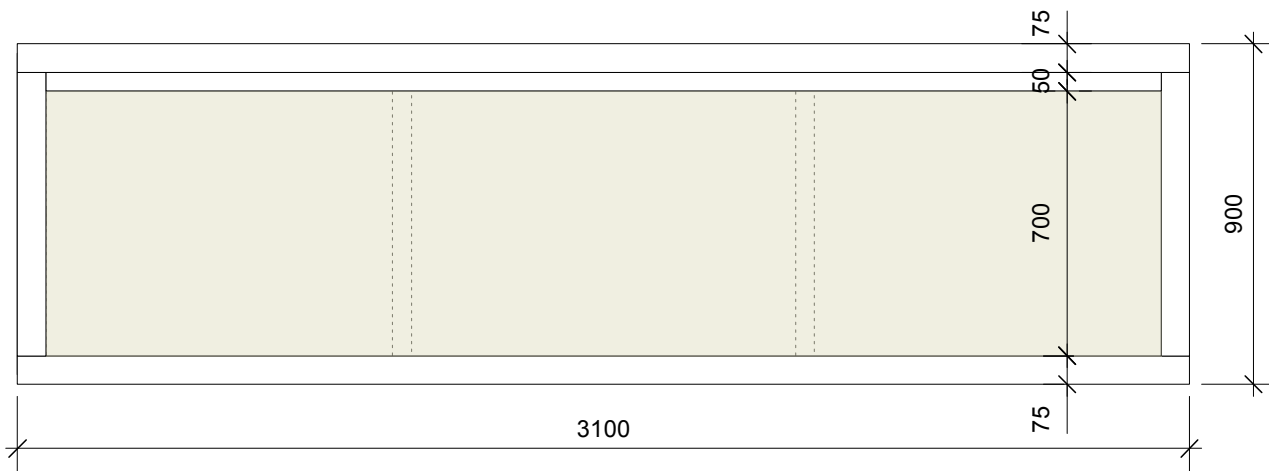
Side elevation



Plan (section)



Section A



Plan

Note:  
 1) All timber sections are tanalised.  
 2) Timber sections: 25x75mm, 25x125mm, 50x50mm

## CONSTRUCTION

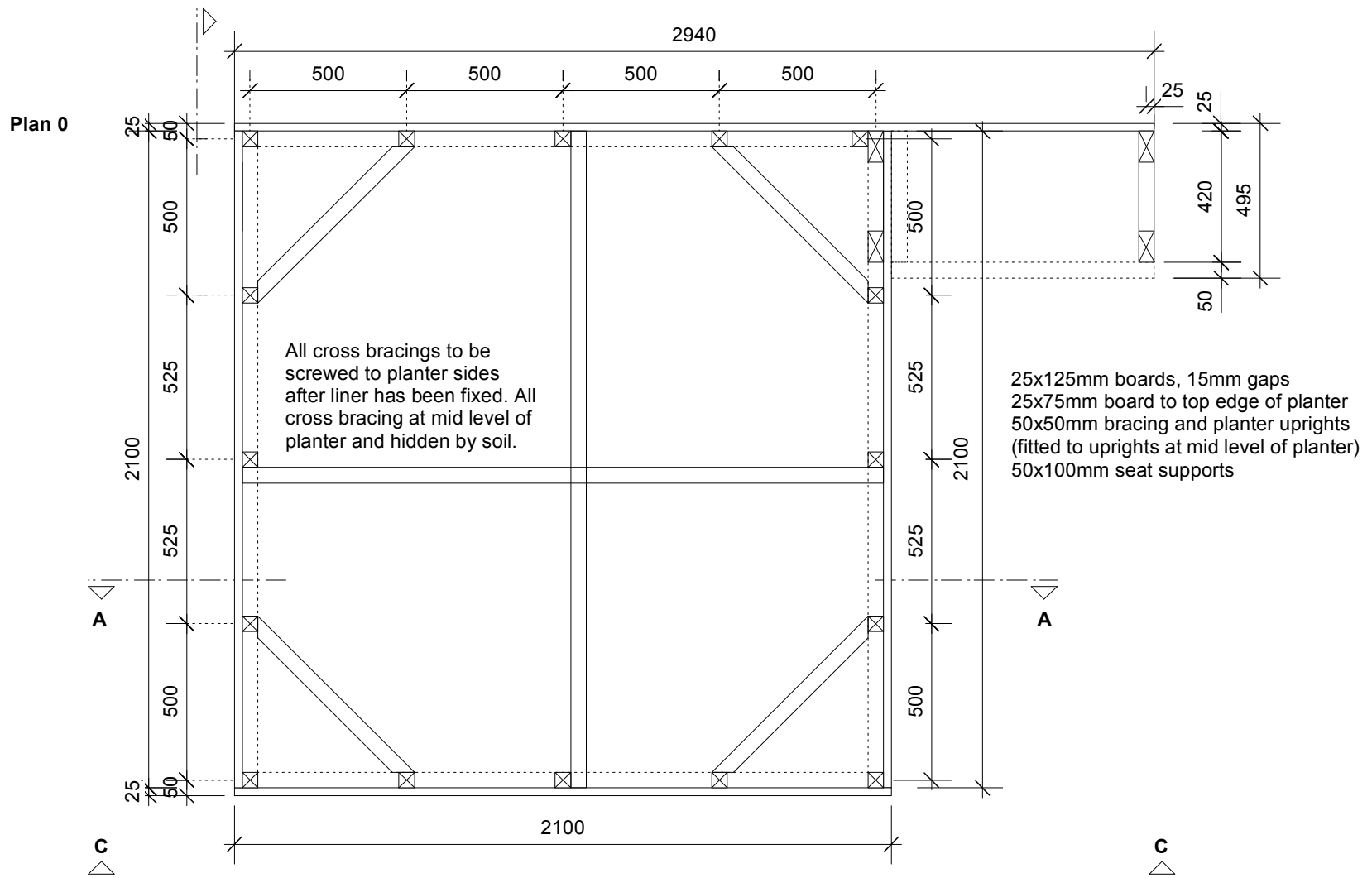
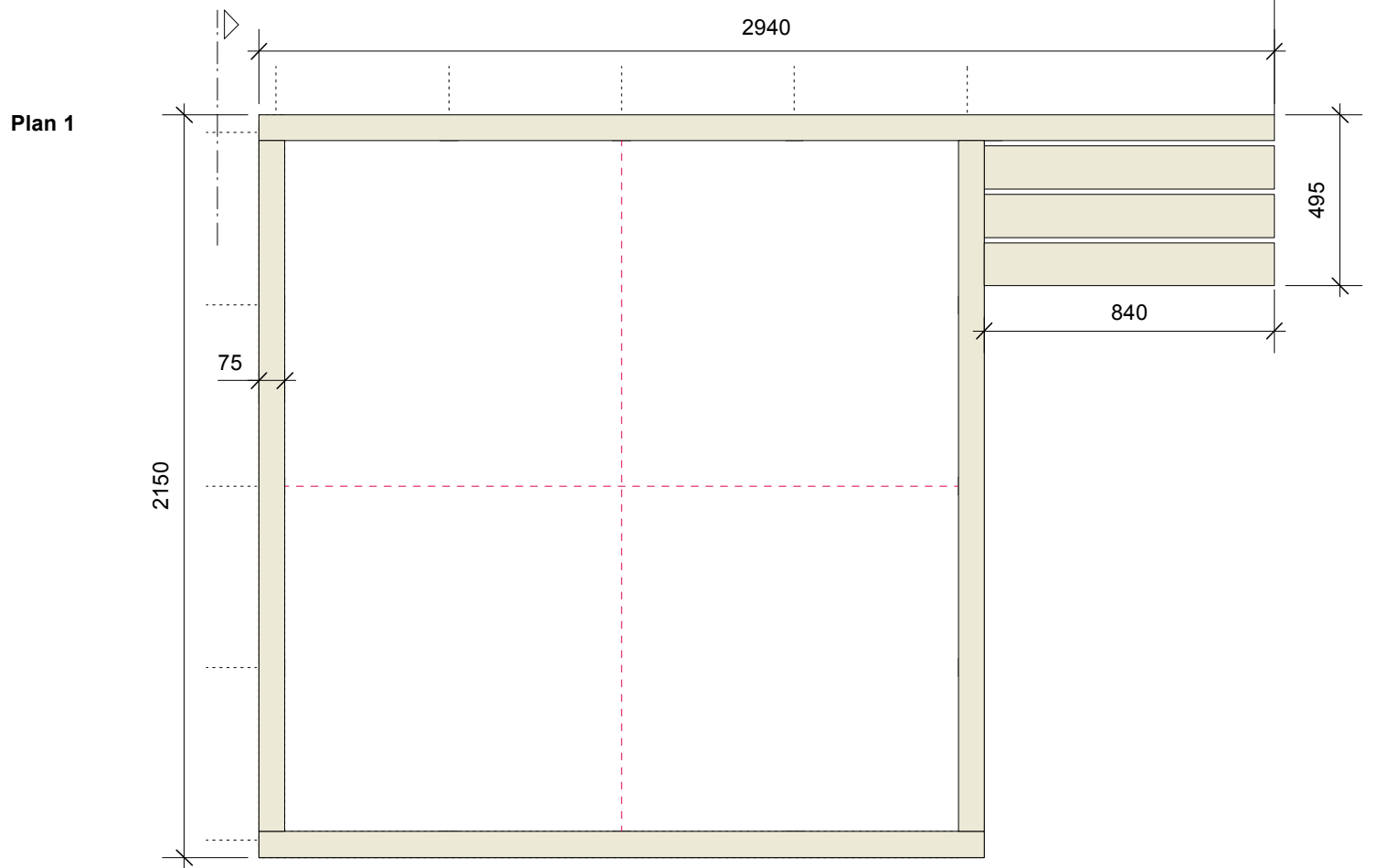
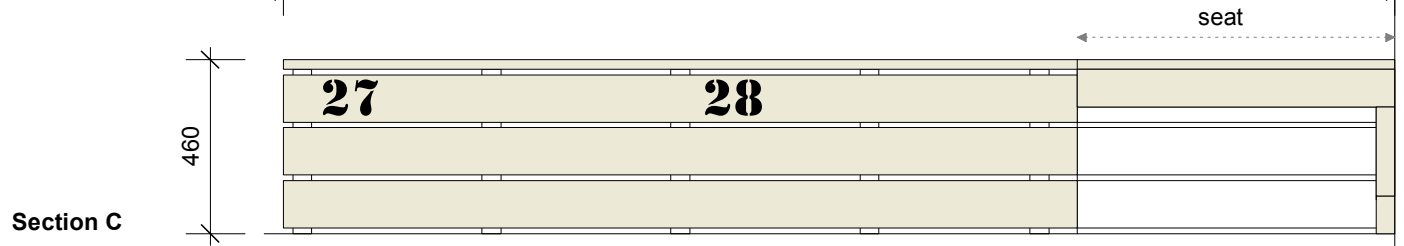
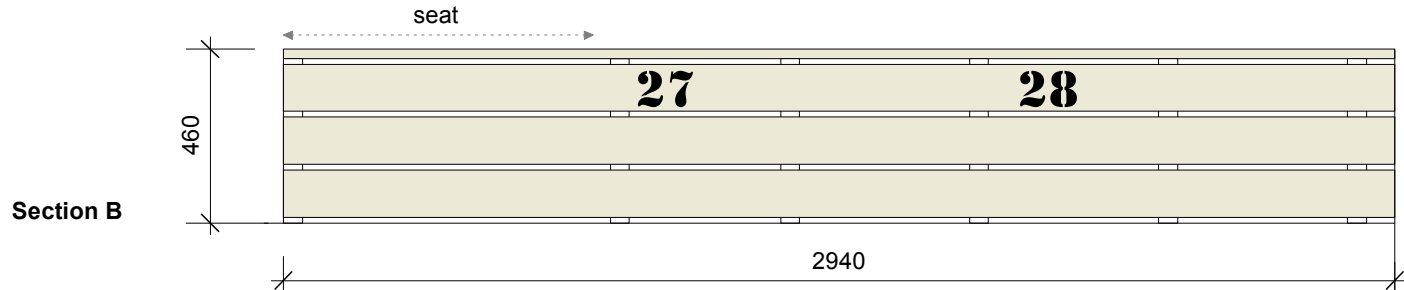
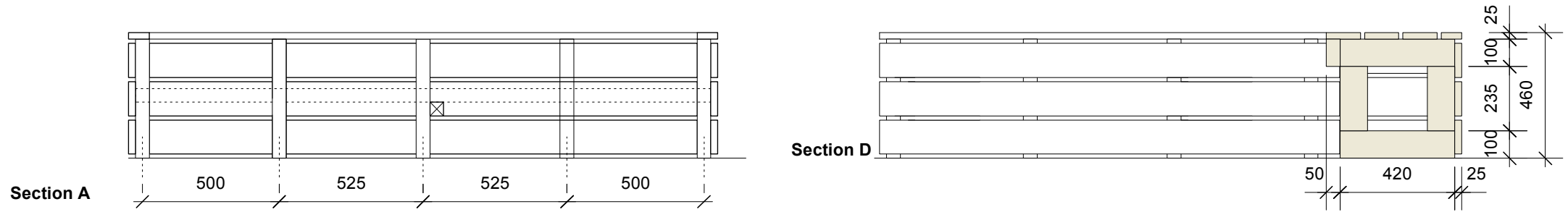
VACANT LOT  
 Dwg Title: **Planter with trellis**

Scale: 1:20 at A3  
 Date: 17.01.12

## WHAT IF: projects Ltd

39 Cropley Street, London N1 7HT  
 T. 02072533376 M. 07813218079  
 E. ulrike@what-if.info  
 www.what-if.info

# planter with one seat



Note:  
 1) All timber sections are tanalised.  
 2) Timber sections: 25x75mm, 25x125mm, 50x50mm 50x100mm

## CONSTRUCTION

VACANT LOT  
 Dwg Title: Planter with two seats

Scale: 1:20 at A3  
 Date: 17.01.12

WHAT IF: projects Ltd

39 Cropley Street, London N1 7HT  
 T. 02072533376 M. 07813218079  
 E. ulrike@what-if.info  
 www.what-if.info