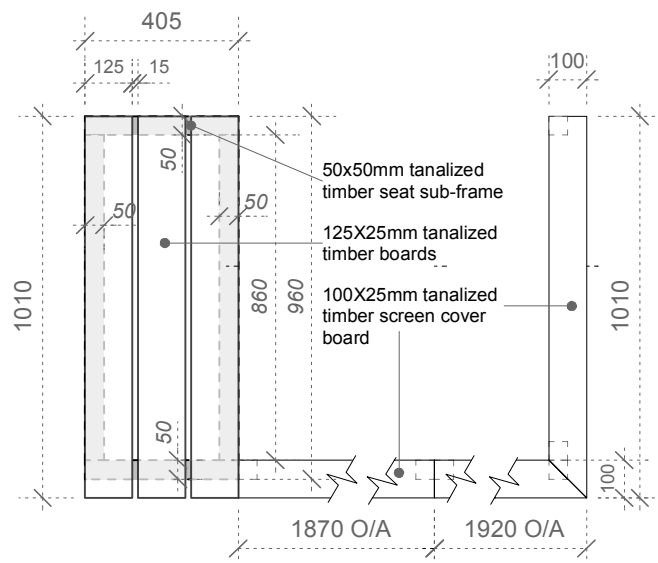
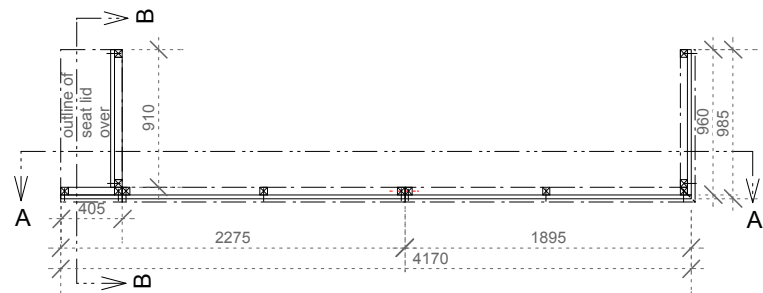


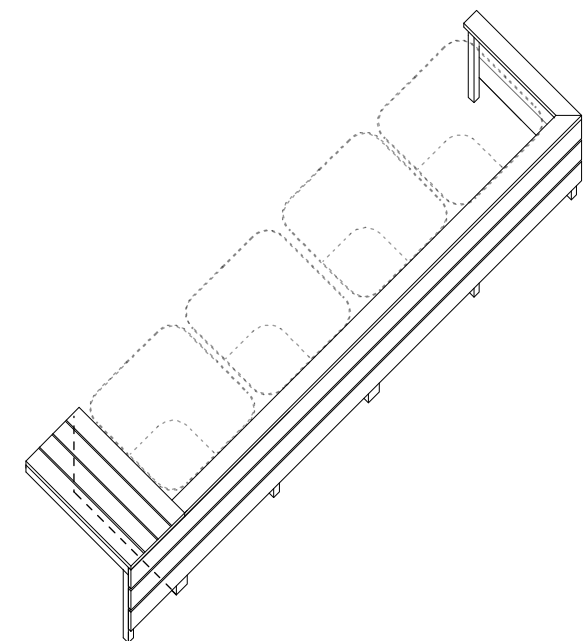
Exploded Plan: Structure A components



Plan: Seat level



Plan: Structure A (as assembled)
Scale: 1: 50



Notes: Structure A

- 1) Seat Lid: 125X25mm tanalized timber boards at 15mm spacing (as shown) set on 50X50mm tanalized timber frame. 50x50mm frame to be screw fixed at corner joints.
- 2) Screen (A.1, A.2): 125X25mm tanalized timber boards (at 15mm spacing as shown) fixed to 50X50mm tanalised timber posts. Section of A.2 fence, supporting seat is to include 50x50mm timber top horizontal bar (as shown in dwg.).
* Screen A.2 can be formed of two sections (eg. 1895mm long and 2275mm long).
- 3) Screen / seat support (A.3): 125X25mm tanalized timber boards (15mm spacing as shown) fixed to 50X50mm tanalised timber posts and 50x50mm timber top horizontal bar (as shown in dwg.).
- 4) All timber to be primed and painted with 2 coats of exterior quality paint (Colour - stone : tbc)
- 5) All pre-fabricated components to be assembled on site by other contractors.

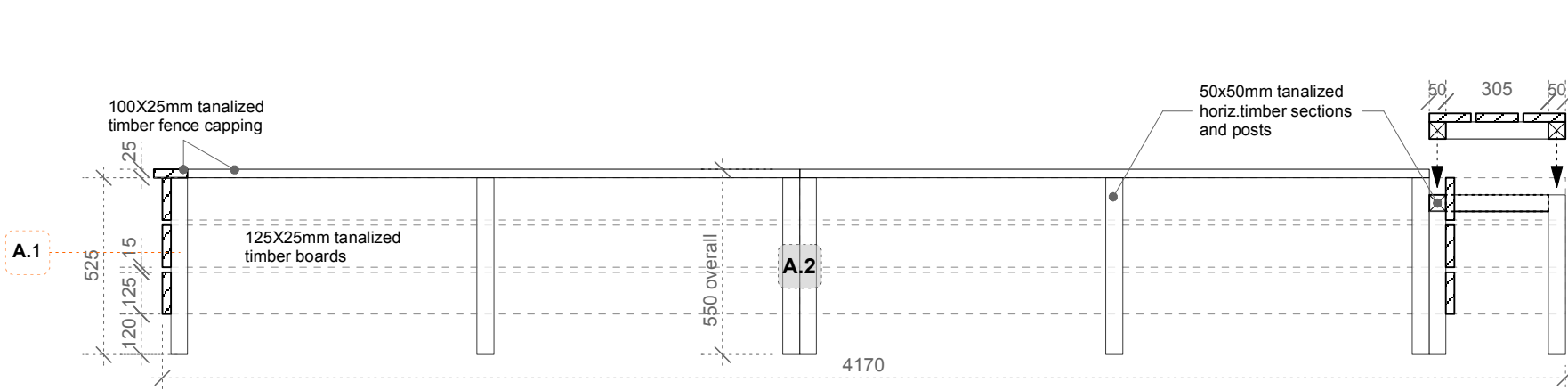
A

Structure A : 4170mm long X1010 wide X 550mm in height.

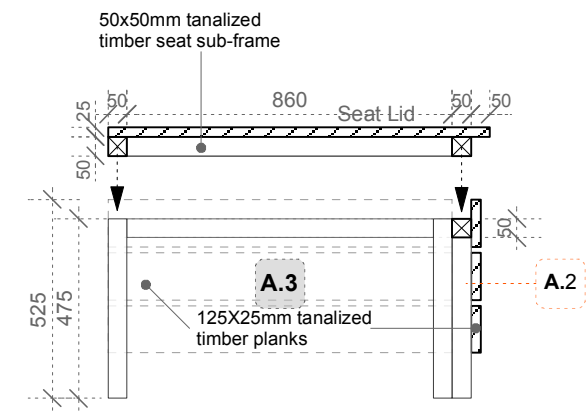
4No. pre-fabricated components:

- i) Seat lid overall dims.: (L)1010X(W)405X(H)75mm
- ii) A.1 (screen return) overall dims.: (L)960X(W)75X(H)525mm
- iii) A.2 (screen and seat support) overall dims.: (L)4170X(W)75X(H)525mm
- iv) A.3 (screen return and seat support) overall dims.: (L)910X(W)75X(H)525mm

- + 3 No. 100X25mm pre-cut cover boards to screens A.1 and A.2 (to be assembled by others on site) lengths:
 - 985mm (cut to mitre)
 - 1920mm (cut to mitre) and,
 - 1870mm



Section A-A: through seat and view of screen



Section B-B: through seat area

VACANT LOT
The Towers
 Dartmouth Park Avenue,
 London NW5 1JP



Dwg Title: The Towers - (Structure A) Fence / Seat Details
 Dwg No.: VL-TT-100-010
 Revision:
 Scale: 1:20 (@ A3), 1:50
 Date created: 06.01.11

WHAT IF: projects Ltd
 39 Cropley Street, London N1 7HT
 T. 02072533376
 E. gareth@what-if.info, m. 07866225467
 www.what-if.info